

# AXIENE CLEAN TOUCH SYSTEM



PRODUCT  
BROCHURE



**Capital** and **Axiene's** partnership fits in perfectly with both of our future business strategies within the hygiene world. This unique partnership enables supply/install/ maintenance support to the end user of Axiene products. Ensuring from the first touch to the last, the confidence that their clients have an extra barrier of hygienic protection.

Established in 1978, **Capital Service Solutions Group Ltd** have built an excellent reputation for providing a quality service, tailored to meet our customer's precise needs.

**Capital** pride ourselves on the working partnerships that we have achieved and in offering a wide range of services. We aim to present you with a cost effective service solution, without compromising the standard of the work carried out.

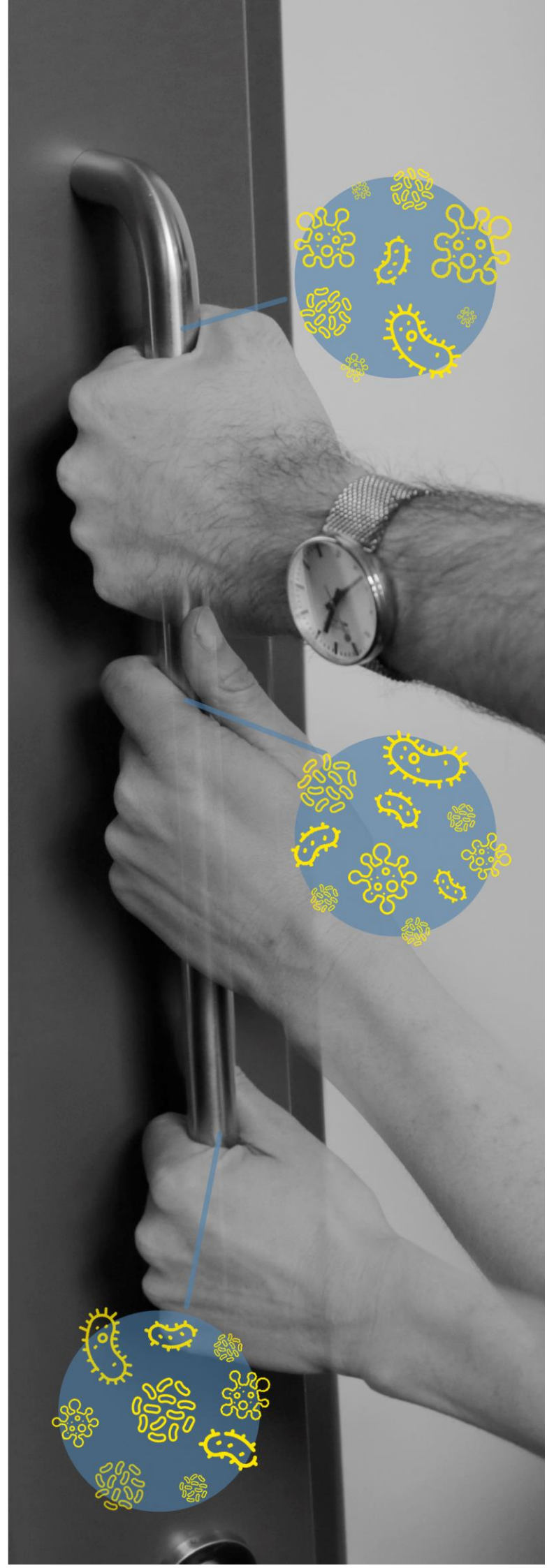
**Capital** are based in West Lothian, Scotland, but cover the UK in it's entirety. We provide an expert service in various cleaning sectors such as medical, commercial, education, logistics and retail.

## HIGH

With a constant focus on quality, sustainability and social responsibility, **Capital** are proud to be Living Wage Foundation accredited service providers, ISO:9001 accredited for quality and ISO:14001 accredited for Environmental Management. **Capital** are also BICSc Corporate Member, ISSA Member and Citation Approved for Employment Law and Health & Safety.

# TOUCH SURFACES SPREAD INFECTION

Human hands carry millions of bacteria, which are easily transferred when contacting high touch surfaces such as door handles.





Nearly 80% of illness-causing germs are spread by your hands.

*"Hands become contaminated by touching germs present on **high touch surfaces** and spread when proper hand hygiene is not performed"*

CDC: Center for Disease Control and Prevention

## THE PROBLEM

People interact with high contact surfaces many times each day, increasing cross transmission of bacteria and germs.

How can we make high touch surfaces safer, reduce the risk of infection transmission whilst improving hand hygiene and reducing costs at the same time?



# CONTINUAL SURFACE PROTECTION

Door handles are one of the most frequently used high touch surfaces, harbouring bacteria and viruses that are easily transmitted to all users.

## **SUPERIOR PROTECTION**

Axiene is an innovative, superior product that will provide;

- △ **CONTINUAL ACTIVE  
DISINFECTION OF THE TOUCH  
SURFACE**
- △ **ENHANCED HAND  
PROTECTION FOR USERS**
- △ **IMPROVED COMPLIANCE  
AND USER HYGIENE**

And all whilst benefiting from;

- △ **REDUCED OPERATING**





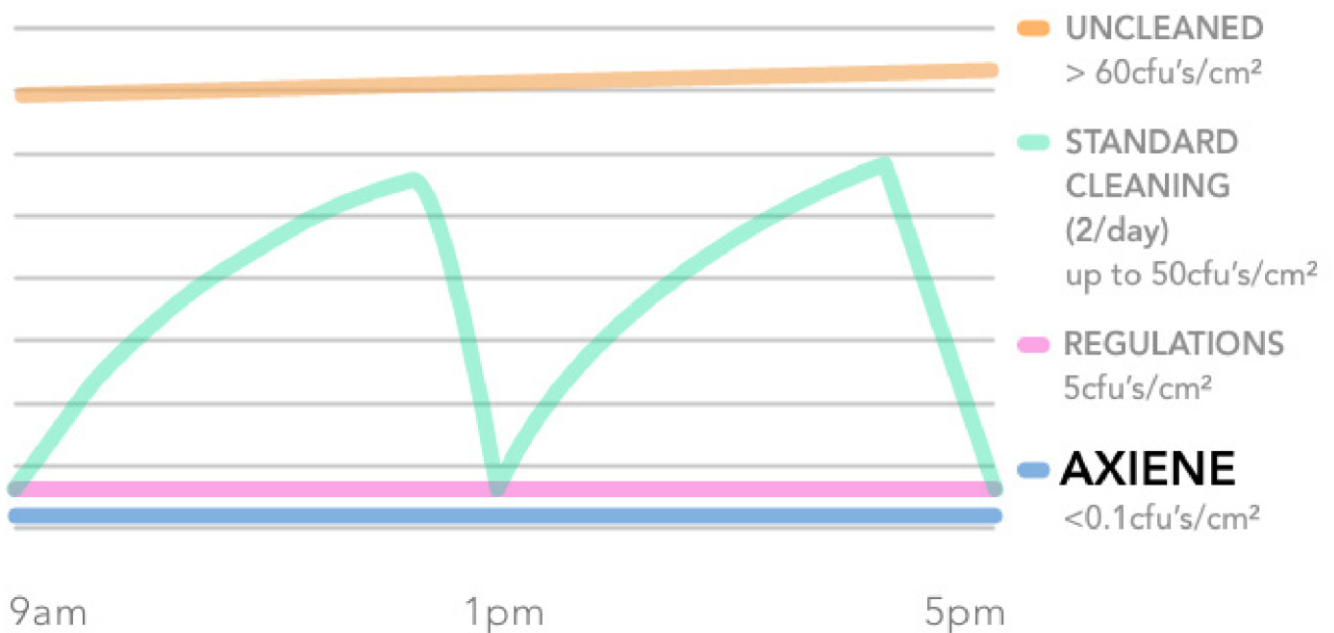
## COSTS

### △ CONTINUAL ACTIVE DISINFECTION

Axiene continually covers the touch surface with bespoke disinfecting fluid delivering active treatment against pathogens. Axiene Kills 99.999% of bacteria to provide world leading surface cleanliness of  $<0.1\text{cfu's/cm}^2$ .

Axiene fluid is free of alcohol, quats, chlorines and is certified, improving hygiene and safeguarding users: BS EN 1276, BS EN 1500, BS EN 1650, BS EN 14476 and complies with European Biocidal Product Regulations (EU) 528/2012.

#### TYPICAL DAILY TOUCH SURFACE CONTAMINATION



### △ ENHANCED HAND PROTECTION

In addition to improved handle safety, Axiene provides a lingering, light film of skin friendly disinfectant on the hands. This has been shown to reduce user hand bio-burden by up to 50% to enhance user infection protection.



**IMPROVED COMPLIANCE**

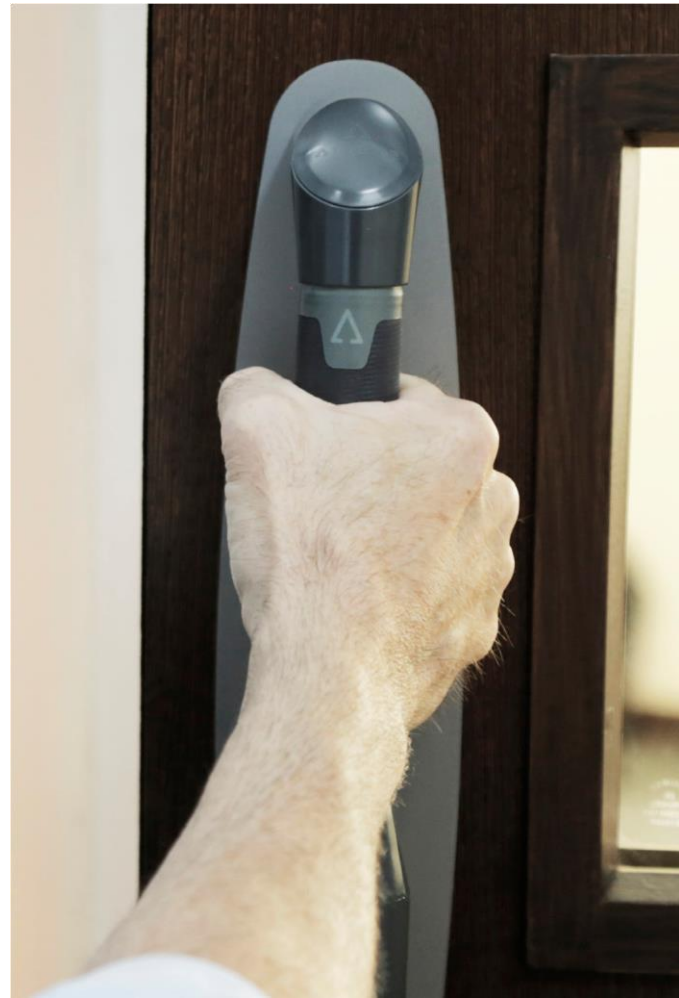


## AND USER HYGIENE

We can't rely on users washing their hands or applying hand gel so there is a high risk of contamination on high touch points like door handles. Axiene reduces this risk by safeguarding the touch surface and by also providing additional disinfection on the user's hands.

Unlike sanitisation stations, which are frequently ignored, users cannot avoid touching the hygienic surface of Axiene, which means improved safety for everyone.

Axiene fluid has a contact time of seconds providing continual active disinfection to ensure market leading surface cleanliness for both you and the next user.



**Handles are unavoidable, we use them every day. Axiene gives you confidence that they are safer and more hygienic.**



## △ REDUCED OPERATING COSTS

Unlike other sanitising products and systems, Axiene doesn't rely on expensive dispensing devices, complex electronics or slow acting coatings. Innovative Clean Touch technology ensures that the surface of the handle is always protected with Axiene fluid.

Axiene volume of 150ml provides up to 5 days of continual protection, independent of the number of users. In comparison, Axiene typically equates to 1/5 of the costs of gel dispensing systems and 1/6 of the costs for cleaning.



## AXIENE COMPARED TO OTHER SOLUTIONS

	 AXIENE	 NO CLEANING	 CLEANING	 GEL DISPENSING BOTTLES	 GEL DISPENSING HANDLES
OPERATING COSTS	£	N/A	££££	££	£££
SIMPLE INSTALLATION	✓	N/A	N/A	✓	—
SIMPLE MAINTENANCE	✓	N/A	N/A	✓	✗
CONTINUAL SURFACE PROTECTION	✓	✗	✗	✗	✗
TYPICAL CULTURE COUNT (total cfu's)	<10	200K	Up to 200K	N/A	N/A



# EASY INSTALL SIMPLE UPKEEP

## **INSTALLATION IN MINUTES**

Axiene uses a standard bolt pitch, allowing quick fitting and retrofitting to existing doors.

## **EASY FLUID TOP-UP**

The locking system provides a secure and simple refill and allows existing staff to do maintenance.

## **EFFICIENT MAINTENANCE**

To ensure that Axiene provides continued market leading protection, the grip section can be renewed simply and quickly as part of regular maintenance.

## **ROBUST AND DURABLE**

Axiene has been tested and successfully meets the requirements of BS 8424:2004 providing verification of greater durability, evidence of professional design and peace of mind.



# AXIENE

## USE

## CASES



HEALTHCARE



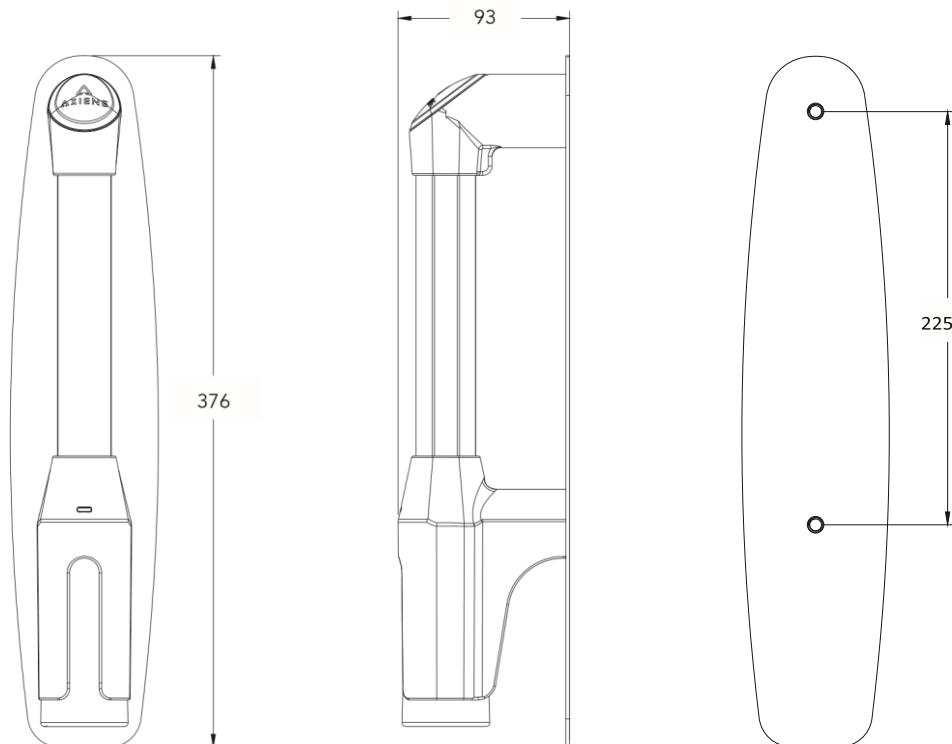
HOSPITALITY



PUBLIC SPACES



INDUSTRY



TECHNICAL SPECIFICATION

Other services which **Capital** deliver:

- Commercial Cleaning
- Carpet Cleaning
- Disinfection & Sanitation Services
- Hygiene Services
- Janitorial Services
- Portable Appliance Testing
- Waste Management
- Window Cleaning



## CONTACT US



Axiene is a UK Registered Trade Mark of Glana Ltd